

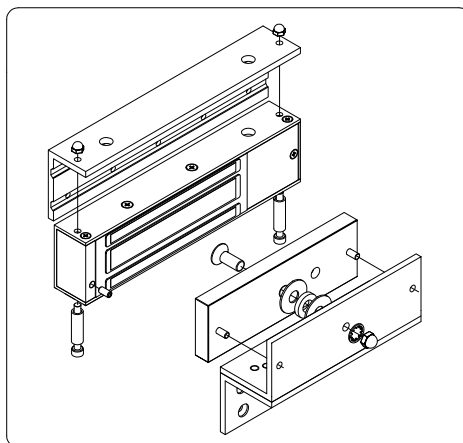
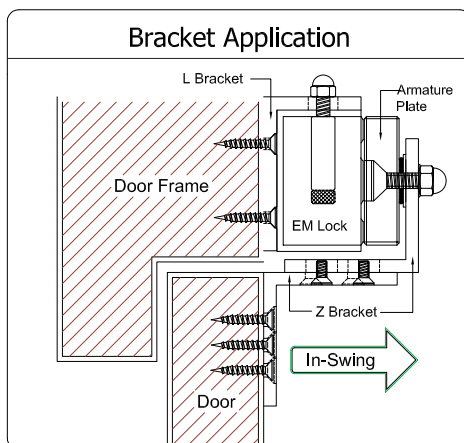


Z Bracket

- Suitable for EM Lock
- Opening Mode : In/Out-Swing Door
- Suitable for Panic Door, Fireproof Door
- Door Mode: 90° Door

Specification

Material Selection	High Strength Aluminum, Sandblast Finished
Suitable for Door	Fully Frameless Glass Doors
Opening Mode	90° Door
Use with	Magnetic lock series of 180kg
Finished for shell	Anodized aluminum
Net weight	0.378 kg



Head Office : D-162, Okhla Industrial Area Phase I, New Delhi, 110020.

Regional Office : Mumbai, Bengaluru, Ahmedabad, Chennai, Kolkata.

International Office : Dubai

Disclaimer : All pictures shown are for illustration purposes only. The actual product and color may vary due to product enhancement. The brief specification is mentioned and may change without prior notice. Please consult us before placing any order.

Phone : +91-95999-53923

Sales : sales@timewatchindia.com

Support : helpdesk@timewatchindia.com