

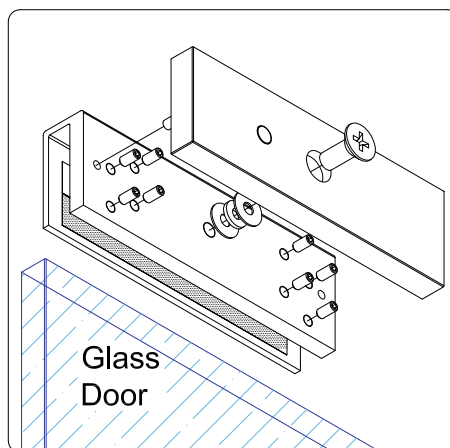
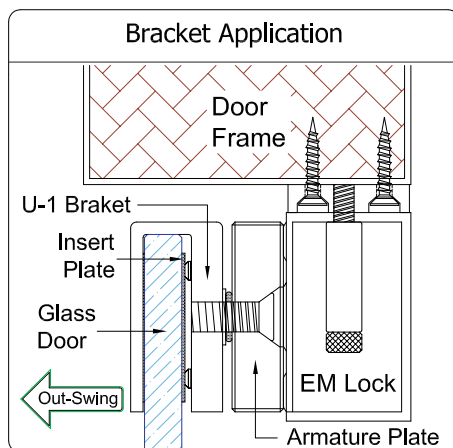


U Bracket

- Suitable for EM Lock
- Suitable for Frameless glass door
- Opening Mode: In/Out-Swing Door
- Door Mode: 90° Door

Specification

| | |
|--------------------|--|
| Material Selection | High Strength Aluminum, Sandblast Finished |
| Suitable for Door | Glass Door (Moving leaf) |
| Opening Mode | 90° Door |
| Use with | Magnetic lock series of 180kg |
| Finished for shell | Anodized aluminum |
| Net weight | 0.242 kg |



Head Office : D-162, Okhla Industrial Area Phase I, New Delhi, 110020.

Regional Office : Mumbai, Bengaluru, Ahmedabad, Chennai, Kolkata.

International Office : Dubai

Disclaimer : All pictures shown are for illustration purposes only. The actual product and color may vary due to product enhancement. The brief specification is mentioned and may change without prior notice. Please consult us before placing any order.

Phone : +91-95999-53923

Sales : sales@timewatchindia.com

Support : helpdesk@timewatchindia.com