

## Features



600 mm  
Passage Width



0.6 sec Opening  
& Closing Speed



Bi-Direction  
Access



Integration With  
Biometric Device



30-40 People/min  
Flow Rate



## Swing Barrier

### TWLD-SG2700/2702

TWLD-SG2700/2702 Swing Barrier Gate is an advanced optical turnstile designed with bi-directional swing barriers to efficiently manage high pedestrian traffic while effectively detecting tailgating. Equipped with precision infrared sensors and intelligent motor control, the system ensures accurate movement monitoring and smooth, controlled passage.

The barrier opens only after valid access authorization and quickly closes behind the authorized user to maintain security. An automatic alarm is triggered in case of unauthorized entry or any attempt to force the barrier.

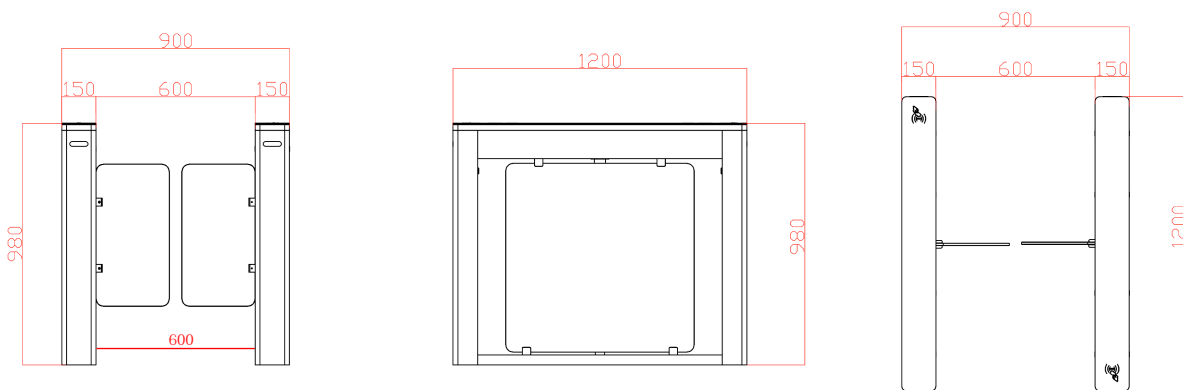
Stylish, reliable, and highly secure, the TWLD-SG2700/2702 Swing Barrier Gate is an ideal solution for modern, high-end entrance control environments.

- The unit can be featured to fail safe in case of emergency such as power outage and fire. The barriers will be opened to allow fast evacuation.
- The system will sound an alarm if someone enters without authorization, or from the wrong direction.
- Monitored by infrared sensors, the movement control system can detect tailgaters.
- In normal operating mode, the barrier closes after pedestrian passage. If no passage is detected after 3 seconds, access authorization will be canceled and the barrier will be closed.

## Technical Specification

Dimension	1200*150*980mm
Integration	Face, Finger, Card, PIN & QR
Housing Material	SS304, Tempered Glass, Acrylic
Passage Width	600mm (Customizable 950mm)
Mechanism	DC24V Brushless Electric Motor
Protection Level	IP45
Traffic Direction	Bi-Directional
Flow Rate	30-40 People/min
Power Consumption	40-70W
Life Cycle	>6 Million Times
Power Supply	220V±10% 50Hz
Operating Temperature	-15°C to +70°C
Operating Humidity	0%~95% No Condensation

## Dimension Drawing



**Head Office** : D-162, Okhla Industrial Area Phase I,  
New Delhi, 110020.

**Global Presence**: Dubai, Saudi Arabia, Nigeria

**Phone** : +91-95999-53923

**Sales** : sales@timewatchindia.com

**Support** : helpdesk@timewatchindia.com

**Disclaimer** : All pictures shown are for illustration purposes only. The actual product and color may vary due to product enhancement. The brief specification is mentioned and may change without prior notice. Please consult us before placing any order.