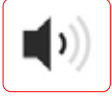


Features



Low Noise



Fast Speed



Convenient
Control



Safe and
Reliable



Hydraulic Rising Traffic Bollard

TW5200

TW5200 Hydraulic Rising Traffic Bollards is widely used in highway toll station, checkpoints, prisons, airports, government agencies, embassies, military base station, custom ports, banks, industrial and mining companies, ports, warehouse, parking, and all requests to control the vehicle in and out from the restricted traffic places.

TW5200 adopts hydraulic drive technology, which is stable and fast. The operation is simple and flexible. It has strong load-bearing and anti-collision capability, low noise, safe and reliable.



(+91)-11-41916615
+91-95999-53923



D-162, Okhla Industrial Area
Phase I, New Delhi, 110020



sales@timewatchindia.com
www.timewatchindia.com

Product highlights

> Fast speed and low noise

The fastest time of lifting is 3 seconds, adjustable. With a hydraulic drive unit, its operation is low noise.

> Convenient Control

The control unit uses a versatile logic controller, with a variety of functional modes to meet different requirements of clients. The movement can be set to time controlled and the user can freely control the lift height to save energy consumption.

> Unique Design

The core part of the hydraulic unit and mechanical mechanism is integrated. Mechanical energy can be effectively transmitted to the hydraulic drive unit, and the operation is efficient. A hydraulic unit is a unique design to increase the pressure directly.

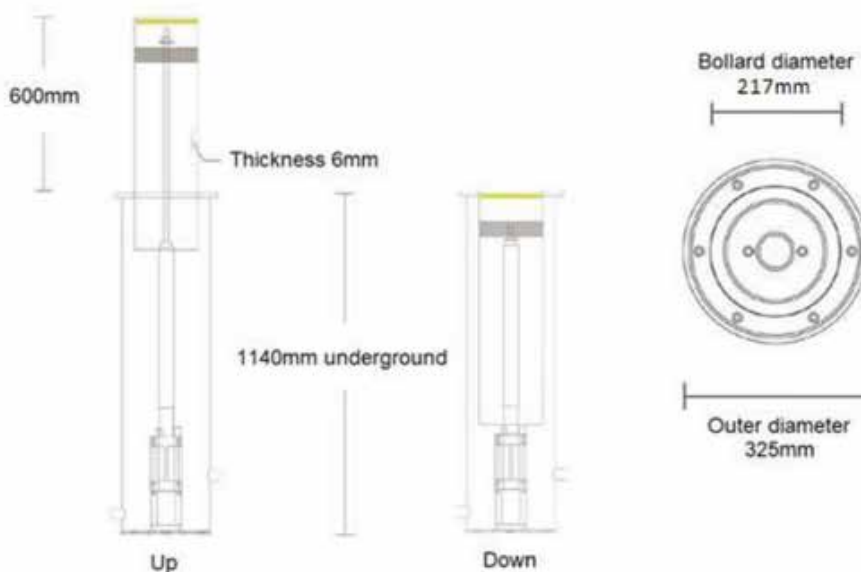
> Safe and Reliable

In case of a power outage and another emergency, the bollards can be controlled manually by the emergency button to decrease. Top and bottom internal fixed parts are equipped with a current detection sensor and a magnetic sensor respectively, to avoid over-current and limit the bollard movement.

Structure and components

Bollard body

The bollard body is mainly composed of a lifting cylinder and a machine base. The bollard body is made of 304 stainless steel. It is made of a 6mm thick seamless steel pipe, with high strength bearing and impact resistance. It is equipped with yellow reflective tape and high-bright LED light.



Electro Mechanical moving core

The hydraulic core consists of a fuel tank, a motor, and an oil pump. It is the power source of the hydraulic bollard barrier system. It is installed inside the bollard body and used together with the bollard. The rising and falling speed can be changed by the regulating valve. In case of a power cut, it can be manually lowered by the backup power supply.

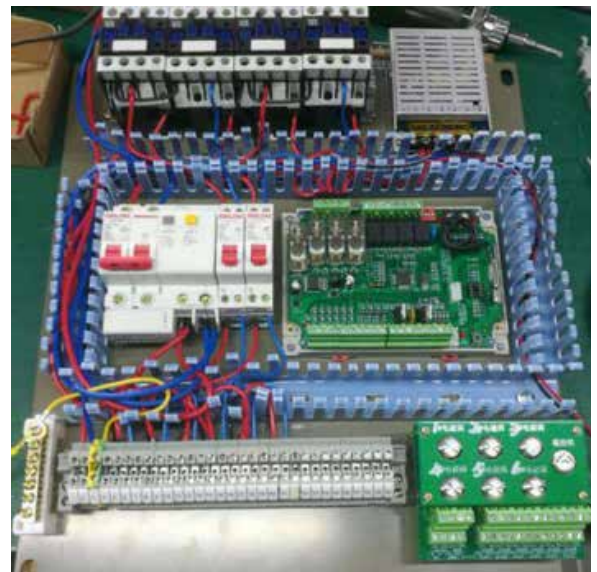
Electronic controller

It includes a master control board, auxiliary control board, leakage switch, non-contact noise long-life contactor, and precise starting time setting (To increase the service life of the cylinder by avoiding the impact force generated when the cylinder stops). Automatically rising is an option (by adding the ground sensor). Automatic controller: including control box, remote control, manual button, etc.



Specification

Verification	
Control system	Electric hydraulic
Power supply	220V
System power	300W
Weight capacity	More than 100 tons of container trucks
Opening time	1.5~3 Sec (can be adjustable)
Closing time	1.5~3 Sec (can be adjustable)
Blade height	600mm



Head Office : D-162, Okhla Industrial Area Phase I, New Delhi, 110020.

Regional Office : Mumbai, Bengaluru, Ahmedabad, Chennai, Kolkata.

International Office : Dubai

Disclaimer : All pictures shown are for illustration purposes only. The actual product and color may vary due to product enhancement. The brief specification is mentioned and may change without prior notice. Please consult us before placing any order.

Phone : +91-95999-53923

Sales : sales@timewatchindia.com

Support : helpdesk@timewatchindia.com