

Verification & Features



Rebound Function
in Resistance



0.6 - 6s Quick
Lifting Speed



Negligible
Maintenance



DC
Brushless Motor



Boom Barrier

TW-DCLD-8000

The TW-DCLD-8000 Boom Barrier is a high-performance vehicle control system designed for smooth and reliable operation. It features an adjustable opening speed from 0.6 to 6 seconds and an interchangeable arm direction for flexible installation. The barrier includes up/down relay outputs, red and green traffic light relay signals, and interfaces for external loop detectors, IR sensors, and count mode functions. Safety is enhanced with a high-sensitivity auto-reverse feature and automatic arm lifting during power failure. While its self-designed mechanical structure provides long-term stability, durability, and consistent performance in demanding environments.

Specification

Cabinet material	Cold rolled steel (316/304 stainless steel-Optional)
Working Temperature	-10°C~+70°C
Open/close Speed	0.6Sec - 6Sec
Rated Power	200W
Driving Method	DC Brushless Motor (Brushless motor Servo motor-Optional)



(+91)-11-41916615
+91-95999-53923



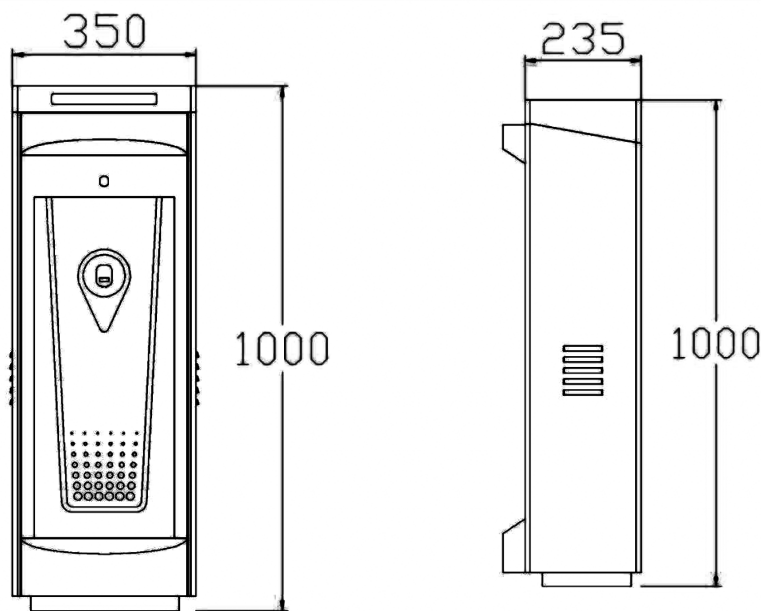
D-162, Okhla Industrial Area
Phase I, New Delhi, 110020



sales@timewatchindia.com
www.timewatchindia.com

Rated voltage	DC24V
Remote Control Distance	≤100m(open,sunny weather)
Max Boom Length	Single / bidirectional
Arm length	Max 6m
Power supply	AC110–220V, 50/60Hz
Protection Grade	IP54
LED indicator	Yes
Bi-direction main shaft	LEFT or RIGHT
Integration	IC/ID card reader QR Code scanner Traffic Light Loop detector Radar sensor

Dimension Drawing



Head Office : D-162, Okhla Industrial Area Phase I, New Delhi, 110020.

Regional Office : Mumbai, Bengaluru, Ahmedabad, Chennai, Kolkata.

International Office : Dubai

Disclaimer : All pictures shown are for illustration purposes only. The actual product and color may vary due to product enhancement. The brief specification is mentioned and may change without prior notice. Please consult us before placing any order.

Phone : +91-95999-53923

Sales : sales@timewatchindia.com

Support : helpdesk@timewatchindia.com