



600 LBS with Feedback

- Collinear Loads Test 600 Pounds
- MOV Reverse current protection
- Red/Green LED Indicates door status
- Door status sensor (NO/NC/COM)
- Anodized Aluminum Housing
- Anti-Residual Magnesium Designed

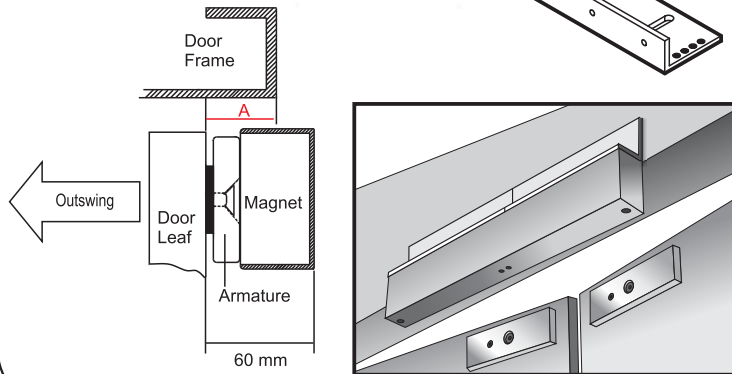
Specification

Holding Force	280Kg/600LBS
Dimension	250*45*25mm
Armature Plate	180L x 35W x 11H(mm)
Door Status	Sensor (NO/NC/COM)
Voltage	12/24VDC+10%
Current	0.48A/0.24A
Current Draw	12/500mA 24V/250mA
Operating Temperature	-20°C~60°C
Working Mode	Power of to opes (NS)
Finishes for shell	Anodized aluminim
Finishes for Magnetic	Zink
Finishes for Armature	Zink

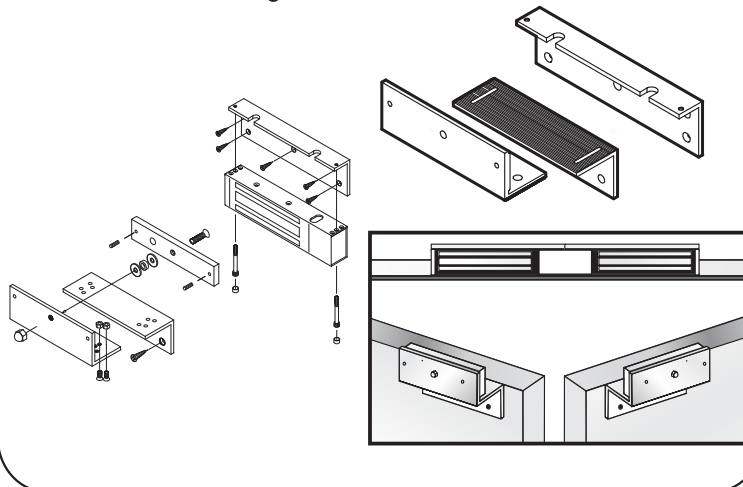


L-bracket for narrow door frames

When "A" < 60 mm must install with "L" brackets.



LZ-bracket for inswing doors



Head Office : D-162, Okhla Industrial Area Phase I, New Delhi, 110020.

Regional Office : Mumbai, Bengaluru, Ahmedabad, Chennai, Kolkata.

International Office : Dubai

Disclaimer : All pictures shown are for illustration purposes only. The actual product and color may vary due to product enhancement. The brief specification is mentioned and may change without prior notice. Please consult us before placing any order.

Phone : +91-95999-53923

Sales : sales@timewatchindia.com

Support : helpdesk@timewatchindia.com