



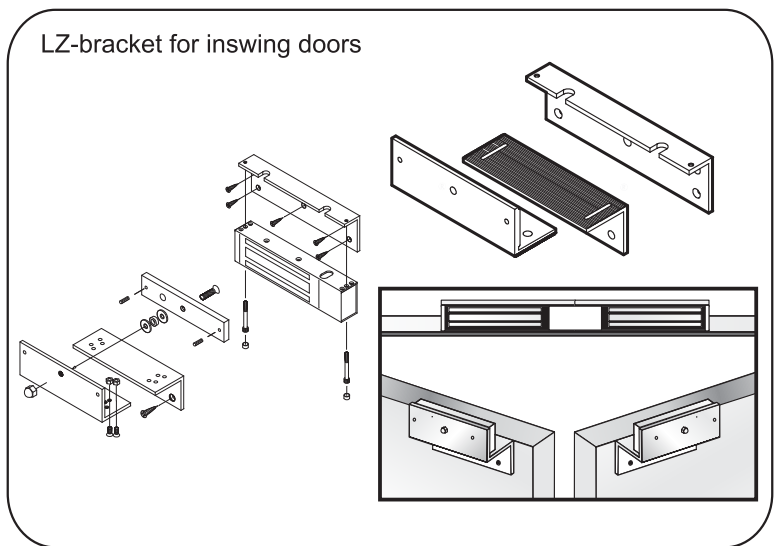
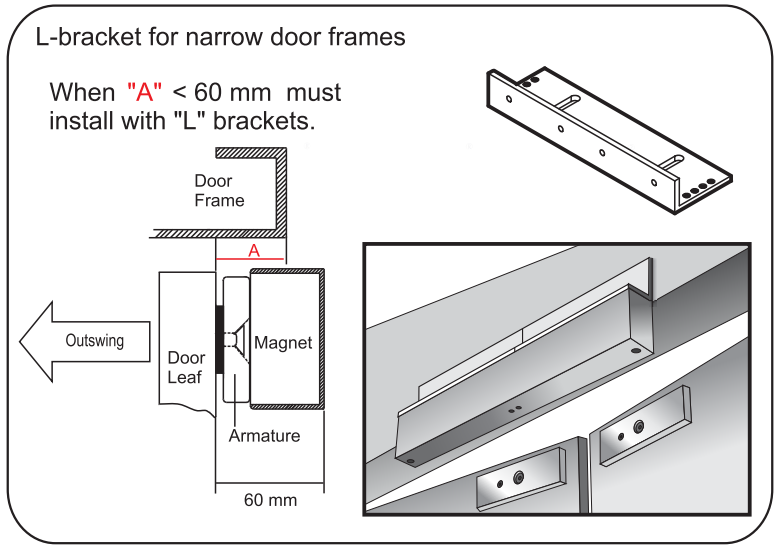
## 1200 LBS with Feedback

- Collinear Loads Test 1200 Pounds
- MOV Reverse current protection
- Red/Green LED Indicates door status
- Door status sensor (NO/NC/COM)
- Anodized Aluminum Housing
- Anti-Residual Magnesium Designed

## Specification

|                       |                       |
|-----------------------|-----------------------|
| Holding Force         | 500Kg/1200LBS         |
| Dimension             | 500*45*25mm           |
| Armature Plate        | 180L x 35W x 11H(mm)  |
| Door Status           | Sensor (NO/NC/COM)    |
| Voltage               | 12/24VDC+10%          |
| Current               | 0.48A/0.24A           |
| Current Draw          | 12/500mA 24V/250mA    |
| Operating Temperature | -20°C~60°C            |
| Working Mode          | Power of to opes (NS) |
| Finishes for shell    | Anodized aluminim     |
| Finishes for Magnetic | Zink                  |
| Finishes for Armature | Zink                  |





**Head Office :** D-162, Okhla Industrial Area Phase I, New Delhi, 110020.

**Regional Office :** Mumbai, Bengaluru, Ahmedabad, Chennai, Kolkata.

**International Office :** Dubai

**Phone :** +91-95999-53923

**Sales :** sales@timewatchindia.com

**Support :** helpdesk@timewatchindia.com

Disclaimer : All pictures shown are for illustration purposes only. The actual product and color may vary due to product enhancement. The brief specification is mentioned and may change without prior notice. Please consult us before placing any order.